

Versa Trak

P/N: X0350-US011-H3 / X0350-EU011-H3



Functional Specifications

RF air protocol	EPC Class 1 Gen 2; ISO18000-6C
Operating frequency	UHF 902-928 MHz (US); 866-868 MHz (EU)
IC type	Alien Higgs-3
Memory configuration	96-EPC bits; 512-bit user memory
Functionality	Read / write (user programmed); full duplex protocol
Memory – expected read / write cycles	100,000 cycles at 77°F (25°C)
Data retention	50 years*
Read rate	400 tags per second for 96-EPC bit number

Performance Characteristics

Read range on-metal (2W ERP)*	Up to 26 ft (8 m)
Read range off-metal (2W ERP)*	Up to 13 ft (4 m)
Polarization	Linear

*Actual read range may vary based upon specific application case and antenna power

Physical Specifications

Material	Industry Grade Polymer
Mounting system	High performance adhesive
Color	Standard color – gray, other colors available
Optional faceplate marking (large volume orders)	Faceplate can be laser etched with 1-D barcode, 2-D barcode, human readable text and company logo

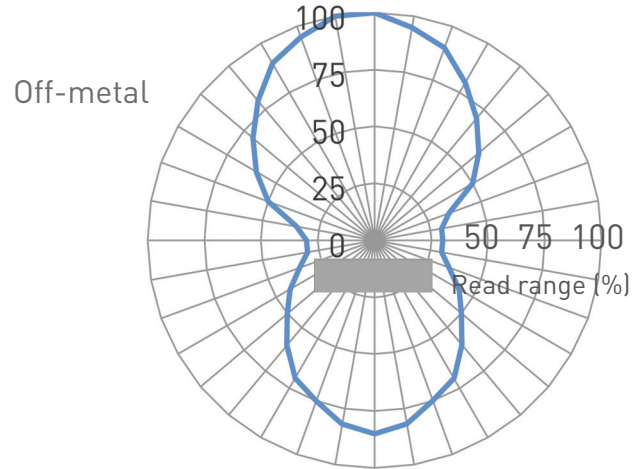
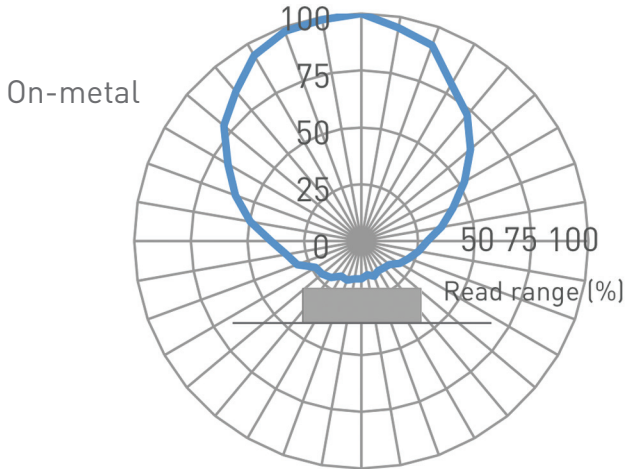
Environmental and Industry Compliance

RoHS	EU Directive 2002/95/EC
------	-------------------------



* The chip data retention and endurance is based on chip work under conventional environment that without high pressure, temperature and other critical environment.

Radiation Pattern



Operational and Environmental Specifications

Operational temperature

Cold	-22°F (-30°C)
Dry heat	+185°F (+85°C)
Thermal shock	-22°F to 185°F (-30°C to +85°C); cycled

Application temperature

Cold	-40°F (-40°C)
Dry heat	+185°F (+85°C)

Humidity

Operational humidity	5%-95% non-condensing
Storage humidity	5%-95% non-condensing

Shock (drop)

3 ft (1 m) to concrete/granite up to 200 cycles

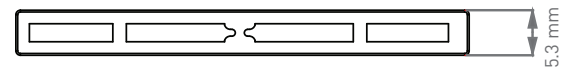
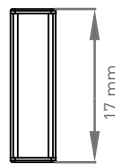
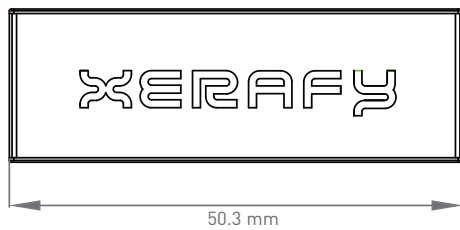
Compression strength

26.1 psi (180 kPa)

IP classification

IP54

Product Dimensions and Weight



Dimensions (mm)

50.3 x 17 x 5.3

tolerance

+/- 0.35

Dimensions (in)

1.98 x 0.67 x 0.21

tolerance

+/- 0.014

Weight

0.11 oz (3 g)